

### SKU: A2/LED/3000K/GIMBAL

2" Recessed retrofit kit adjustable gimbal fixture.

#### Specifications

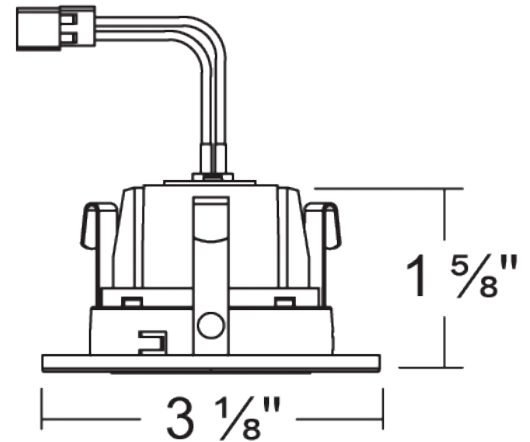
Input Voltage: 120V AC  
 Lumens: 680lm  
 Wattage: 9W  
 Frequency: 50 / 60Hz  
 CCT: 3000K  
 CRI: 90  
 Operation Temperature: -30°C~40°C (-22°F~104°F)  
 Lifetime: 36,000 Hours  
 Dimension: 3 1/8" x 1 5/8"

#### Features

No tools required for installation  
 Save 75% compared to incandescent sources  
 No tools required for installation  
 Dimmable with most standard incandescent, magnetic low voltage and electronic low voltage dimmers

#### Listing

cUL  
 Energy Star



Project:	
Contact:	
Location:	
Fixture Type:	

Quantity	Notes